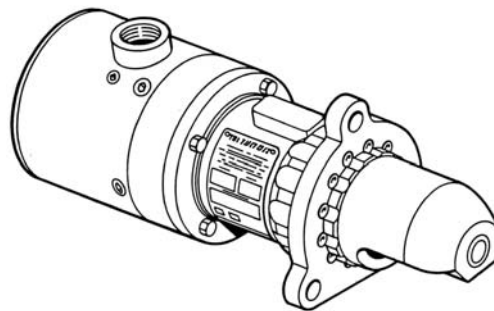


ILLUSTRATED PART BREAKDOWN



MODEL: T30-I **TURBO***TWIN* Engine Air Starter



AN96-418

RJ Mann & Associates Inc.
Engine Controls & Panels/Compressor Parts
860 North 9th Avenue, Brighton, CO 80603
Ph: (303) 659-5139 Fax: (303) 659-5309
www.rjmann.com

T30-I ILLUSTRATED PARTS BREAKDOWN

ITEM #	DESCRIPTION	PART NUMBER	QTY.	Overhaul Kit
				T30I-27624-001
1	Screw	14F-16432-008	8	√
2	Exhaust Support	2-27475	1	
3	Exhaust Screen	2-27239	1	
4	Screw, Rotor Attachment	19F-25028-012	1	√
5	Rotor Washer	9-93047	1	
6	Stage 2 Rotor	2-27232	1	
7	Square Key (1/8")	9-90220-050	2	
8	Turbine Bearing	9-91224	2	√
9	Bearing Pre-Load Spring	9-90439	2	√
10	Bearing Spacer	9-93091-003	1	√
11	Hollow Hex Plug	9-93501-002	1	
12	1" NPT Caplug	9-93502-006	1	
13	Stage 2 Nozzle/Containment (RH)	2-27405-00R	1	
13	Stage 2 Nozzle/Containment (LH)	2-27405-00L	1	
14	Screw	72F-25020-012	5	√
15	Stage 1 Rotor	2-27225	1	
16	Lip Seal	2-26719	1	√
17	Spacer/SealBearing	9-93114	1	√
18	O-Ring	9-90001-047	1	√
19	Turbine Hsg. / Stage 1 (3 Noz. RH)	2-27389-03R	1	
19	Turbine Hsg. / Stage 1 (3 Noz. LH)	2-27389-03L	1	
19	Turbine Hsg. / Stage 1 (6 Noz. RH)	2-27389-06R	1	
19	Turbine Hsg. / Stage 1 (6 Noz. LH)	2-27389-06L	1	
19	Turbine Hsg. / Stage 1 (12 Noz. RH)	2-27389-12R	1	
19	Turbine Hsg. / Stage 1 (12 Noz. LH)	2-27389-12L	1	
20	Bearing Retainer	2-27406	1	
21	Screw	14F-25020-012	4	√
22	Turbine Shaft	2-27391-002	1	
23	Ring Gear	2-27395	1	
24	Carrier Shaft Weldment (6/8P)	2-27402	1	
24	Carrier Shaft Weldment (8/10P)	2-27608	1	
25	Planet Shaft	2-22051	3	
26	Planet Gear Spacer	9-93065	6	√
27	Planet Gear (11.4:1)	2-21988	3	
28	Planet Bearing	9-91389	3	√
29	Gearbox Bearing	9-91037	2	√
30	Bearing Pre-Load Spring	9-90442-009	1	√
31	Bearing Spacer (Gearbox)	2-27140	1	√
32	Gearbox Housing	2-27386	1	
33	Hex Bolts (Gearbox Attachment)	74F-25020-024	4	√
34	Bearing Lockwasher	9-93061-006	1	√
35	Bearing Retainer Nut	9-92127-006	1	
36	Bearing Retainer	2-27407	1	
37	Screw	14F-25020-012	12	√
38	Drive Spacer	2-27141	1	√

ITEM #	DESCRIPTION	PART NUMBER	QTY.	Overhaul Kit T30I-27624-001
39	Drive Bendix 6/8P, 11T, RH	2-22147	1	
39	Drive Bendix 6/8P, 11T, LH	2-22148	1	
39	Drive Bendix 8/10P, 12T, RH	2-20927	1	
39	Drive Bendix 8/10P, 12T, LH	2-20926	1	
40	Nose Bearing (6/8P)	9-91408	1	√
40	Nose Bearing (8/10P)	9-91395	1	√
41	Drive Housing (8/10P)	2-27113	1	
41	Drive Housing (6/8P)	2-27113-001	1	
42	O-Ring	9-90001-049	1	√

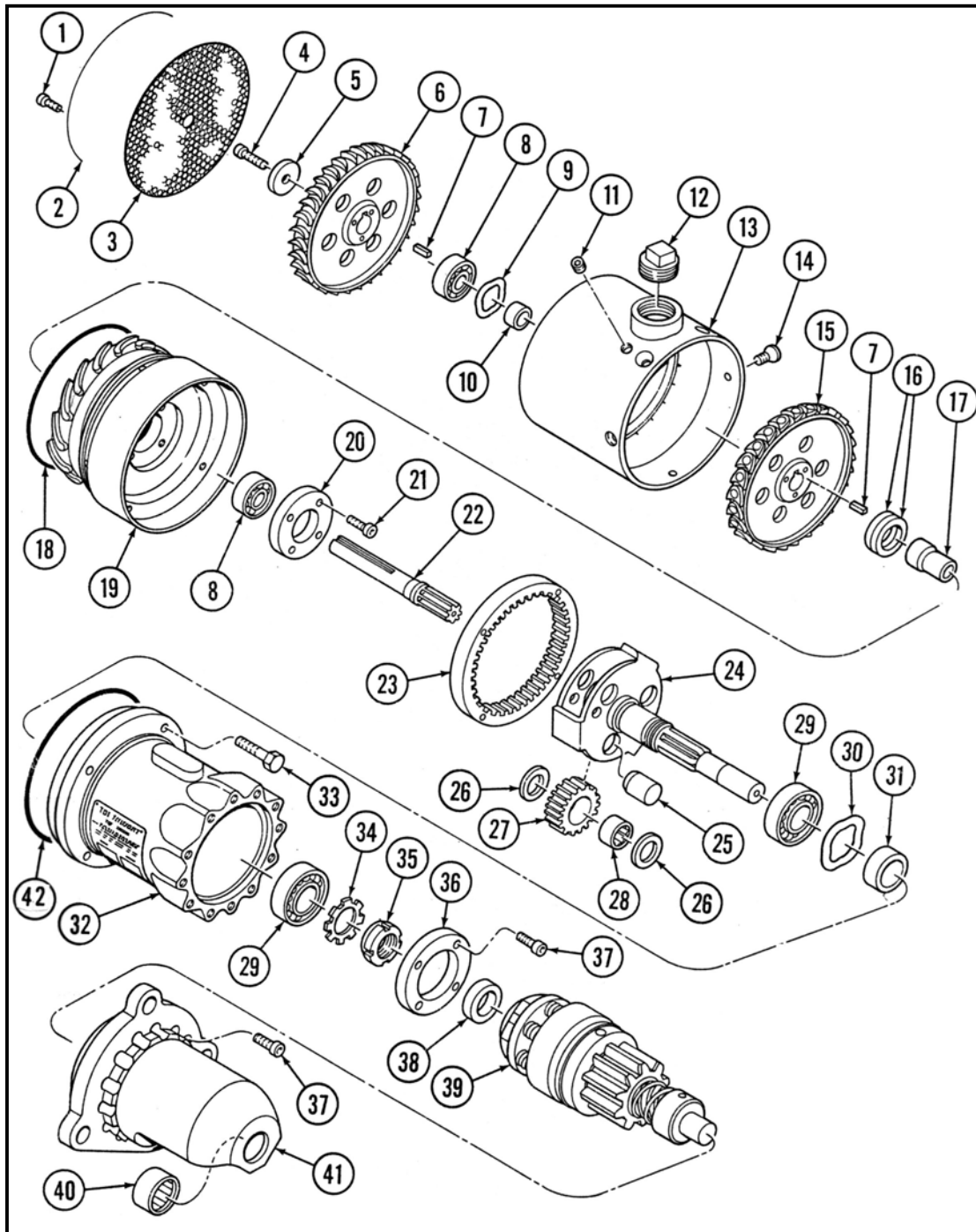


Figure 1. T30-I Illustrated Parts Breakdown

T30-I "Quiet" Turbine Assembly Parts Breakdown (Effective SN: 0010-394)				
ITEM #	DESCRIPTION	PART NUMBER	QTY.	Upgrade Kit
				T30-28679-00R or (-00L)
1	Screw	14F-16432-008	8	
2	Exhaust Support	2-27475	1	
3	Exhaust Screen	2-27239	1	
4	Screw, Rotor Attachment	19F-25028-012	1	
5	Rotor Washer	9-93047	1	
6	Stage 2 Rotor	2-27232	1	
7	Square Key (1/8")	9-90220-050	2	
8	Turbine Bearing	9-91224	2	
9	Bearing Pre-Load Spring	9-90439	2	
10	Spacer, Labyrinth	2-28445	1	√
11	Screw	11A-37516-008	2	√
12	Hollow Hex Plug	9-93501-002	1	
13	1" NPT Caplug	9-93502-006	1	
14	Stage 2 Nozzle (RH)	2-28595-00R	1	√
14	Stage 2 Nozzle (LH)	2-28595-00L	1	(√)
15	Screw	72F-25020-012	5	
16	Stage 1 Rotor	2-27225	1	
17	Lip Seal	2-26719	1	
18	Spacer/SealBearing	9-93114	1	
19	O-Ring	9-90001-047	1	
20	Turbine Hsq. / Stage 1 (3 Noz. RH)	2-27389-03R	1	
20	Turbine Hsq. / Stage 1 (3 Noz. LH)	2-27389-03L	1	
20	Turbine Hsq. / Stage 1 (6 Noz. RH)	2-27389-06R	1	
20	Turbine Hsq. / Stage 1 (6 Noz. LH)	2-27389-06L	1	
20	Turbine Hsq. / Stage 1 (12 Noz. RH)	2-27389-12R	1	
20	Turbine Hsq. / Stage 1 (12 Noz. LH)	2-27389-12L	1	
21	Bearing Retainer	2-27406	1	
22	Screw	14F-25020-012	4	
23	Turbine Shaft	2-27391-002	1	
24	Ring Gear	2-27395	1	

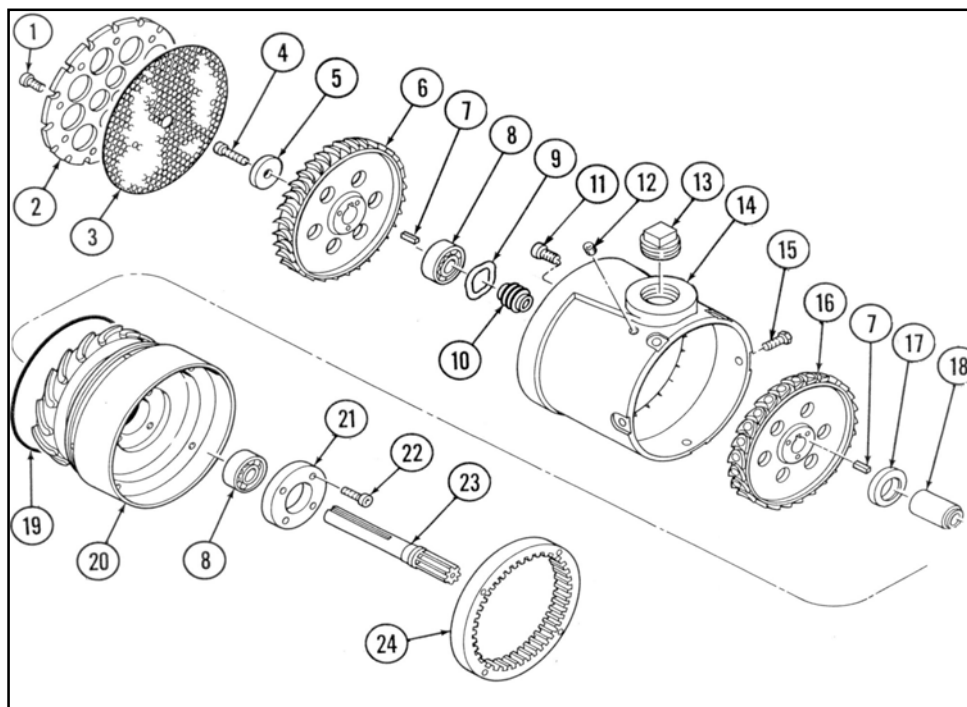


Figure 2. T30-I "Quiet" Turbine Assembly (Effective SN: 0010-394)